

Figure 1: An inverter schematic without scaling

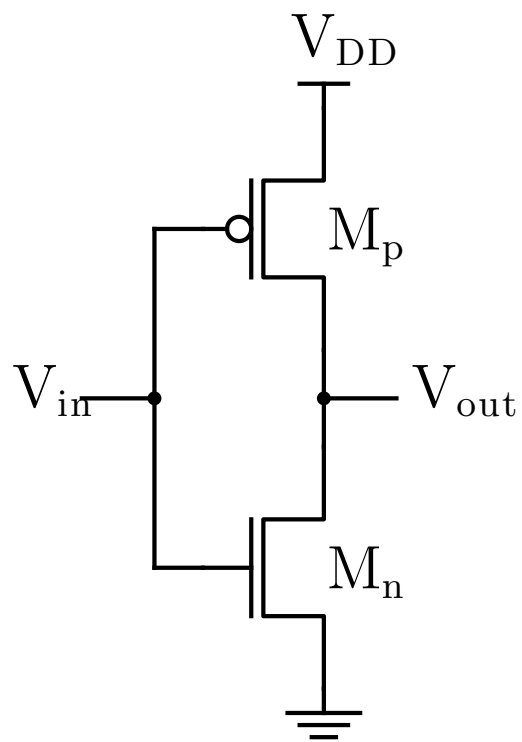


Figure 2: An inverter schematic without scaling